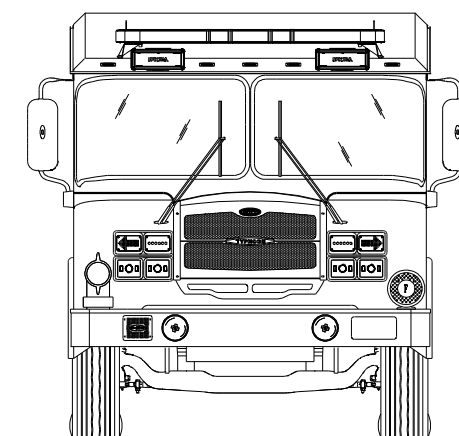
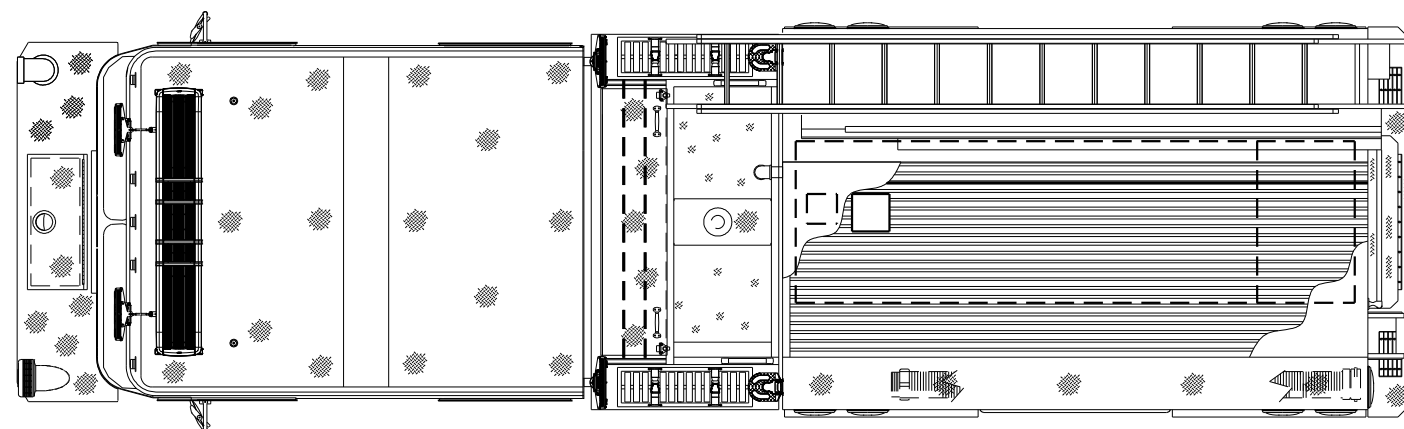


OFFICER SIDE VIEW



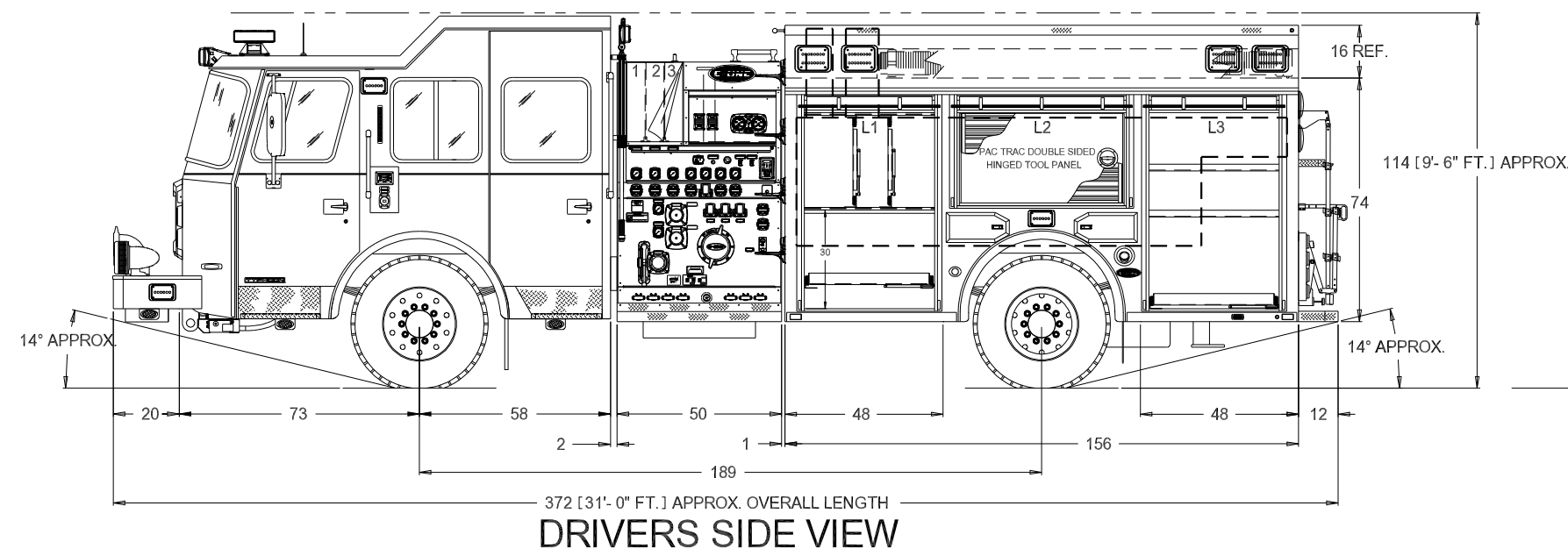
FRONT VIEW



TOP VIEW

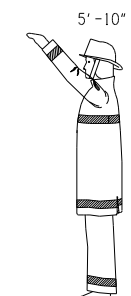
COMPARTMENT DIMENSIONS		
COMPT.	CLEAR DOOR OPENING (W x H):	COMPARTMENT INTERIOR (W x H x LD/UD):
L1	39-1/2"W x 59-1/2"H	44"W x 60-3/4"H x 27"D
L2	51-1/2"W x 28-1/4"H	60"W x 29-1/2"H x 27"D
L3	39-1/2"W x 59-1/2"H	44"W x 60-3/4"H x 27"D
R1	39-1/2"W x 59-1/2"H	44"W x 70"H x 27"D
R2	51-1/2"W x 28-1/4"H	60"W x 38-3/4"H x 27"D
R3	39-1/2"W x 59-1/2"H	44"W x 70"H x 27"D
B1	39"W x 36-3/4"H	46"W x 45"H x 26"D

CROSSLAY #1 = 150' OF 1-3/4" HOSE CROSSLAY #2 = 200' OF 1-3/4" HOSE CROSSLAY #3 = 200' OF 1-3/4" HOSE



DRIVERS SIDE VIEW

SUCTION HOSE NOT IN QUOTE (SHOWN FOR CLARITY)



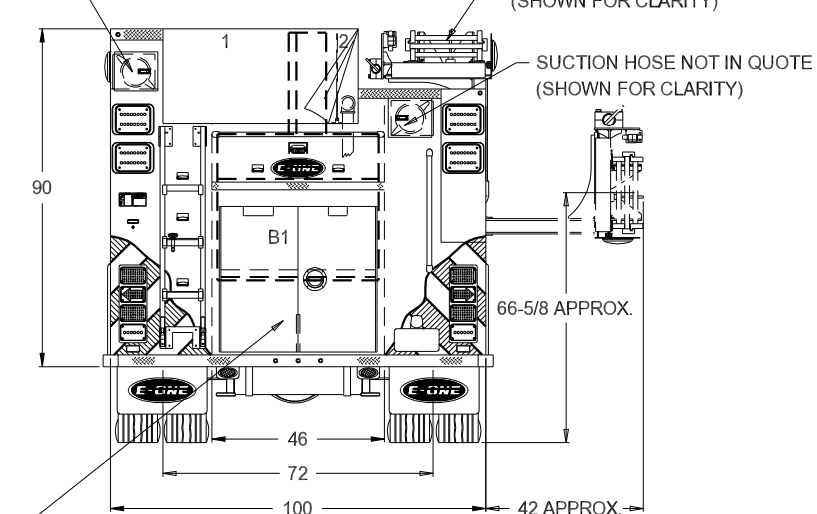
5'-10"

HOSE BED LAYOUT:

BED 1 = 1200' OF 4" HOSE
BED 2 = 300' OF 2-1/2" HOSE PRECONNECT

LADDERS NOT IN QUOTE (SHOWN FOR CLARITY)

SUCTION HOSE NOT IN QUOTE (SHOWN FOR CLARITY)



REAR VIEW

NO CHEVRON ON B1 DOOR(S)

THIS DRAWING IS FOR REFERENCE PURPOSES. ALL DIMENSIONS ARE SUBJECT TO MINOR VARIATIONS DUE TO MANUFACTURING PROCESSES.

This print is the property of E-ONE Inc. and is loaned to you subject to return on demand, unless otherwise agreed to in writing by E-ONE Inc. Its contents are confidential and must not be copied or submitted to third parties for use or examination.

APPROVED FOR PRODUCTION

DESIGNER: R. RZESZUT / R. SPEARS DATE: 02/23/2017

REV.	REVISION NOTE / CO#.	DATE:	DRAWN BY:	Tolerance: Lin: ±.50" Ang: ±50 °	Units: Inches [mm Imports Only]
-	INITIAL DRAWING TO MATCH QUOTE REV. 32	071216	R.S.	Dealer: GREENWOOD	Water Tank Capacity: 750 WATER / 30 FOAM
A	REVISED TO MATCH QUOTE REV. 66	081116	R.S.	GENERATOR:	Misc:
B	REVISED TO MATCH QUOTE REV. 76	091516	R.S.	Misc:	Misc:
C	TURNED INTO JOB ORDER (REF Q79218)	102116	R.R.		
D	EDITS PER PRE-BUILD CHANGES	010417	R.R.		
E	CHANGES PER CR'S	022217	R.R.		



HOLDEN FIRE DEPARTMENT

SO NO. 141009 (PSRS-TYPH)
RESCUE PUMPER 780 GALLON TANK
TYPHOON MED. 12" VISTA

FILE NAME: 141009 HOLDEN FIRE DEPARTMENT